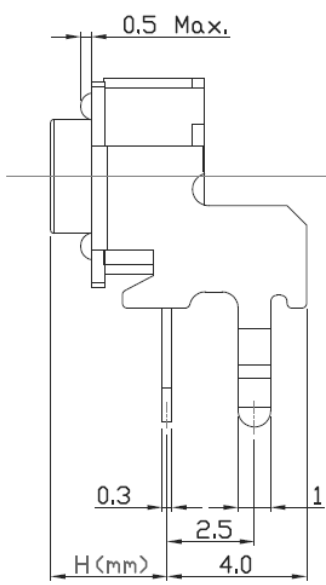
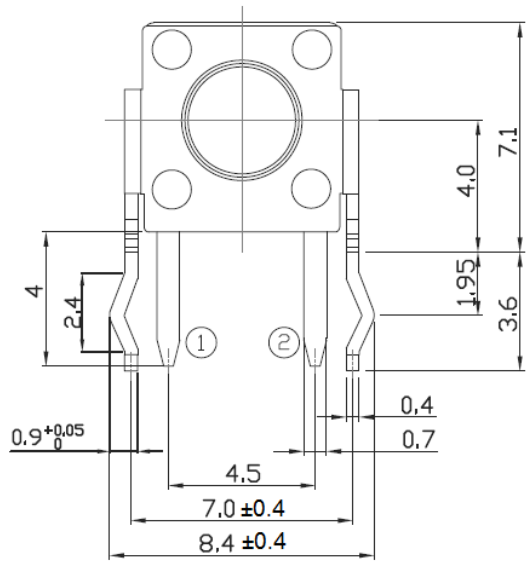
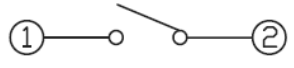


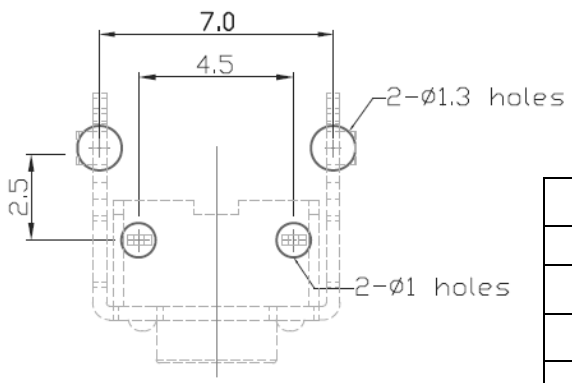
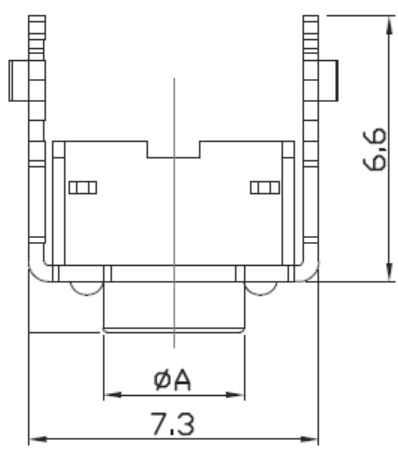
DIMENSIONS



CIRCUIT DIAGRAM



P.C.B MOUNTING PATTERN DIMENSION
The following soldering patterns are recommended for reflow soldering



M	7.85	3.4
L	6.15	3.4
K	15.85	3.0
J	4.35	3.4
I	11.85	3.0
H	12.85	3.0
G	12.35	3.0
F	6.85	3.4
E	11.35	3.0
D	8.35	3.4
C	5.85	3.4
B	3.85	3.5
A	3.15	3.5
H	mm	ØA

NOTE:

1. RATING : DC 12V 50mA
2. TRAVEL : 0.25±0.1 mm
3. OPERATING FORCE :
 - a.160±30gf(N)
 - b.260±50gf(R)
4. CONTACT RESISTANCE : 100mΩ MAX.
5. OPERATING LIFE : 100,000 CYCLES
6. KNOB COLOR :
 - a.BLACK() c.BROWN(B)
 - b.GRAY(G) d.RED(R)

5	CONTACT	PHOSPHOR BRONZE	1	Ag plate
4	TERMINAL	BRASS	1	
3	STEM	PolyAmide	1	
2	COVER	Tinplate Steel	1	
1	CASE	PolyAmide	1	
NO	PARTS NAME	MATERIAL	Q'TY	FINISHING



銓基電子股份有限公司
ROKI ELECTRONICS CO., LTD.

PART NAME : TACT SWITCH		SCALE :
PART NO : TS02-□□-S1-PF		UNIT : mm
TOLERANCE : ±0.3mm		VER : R04